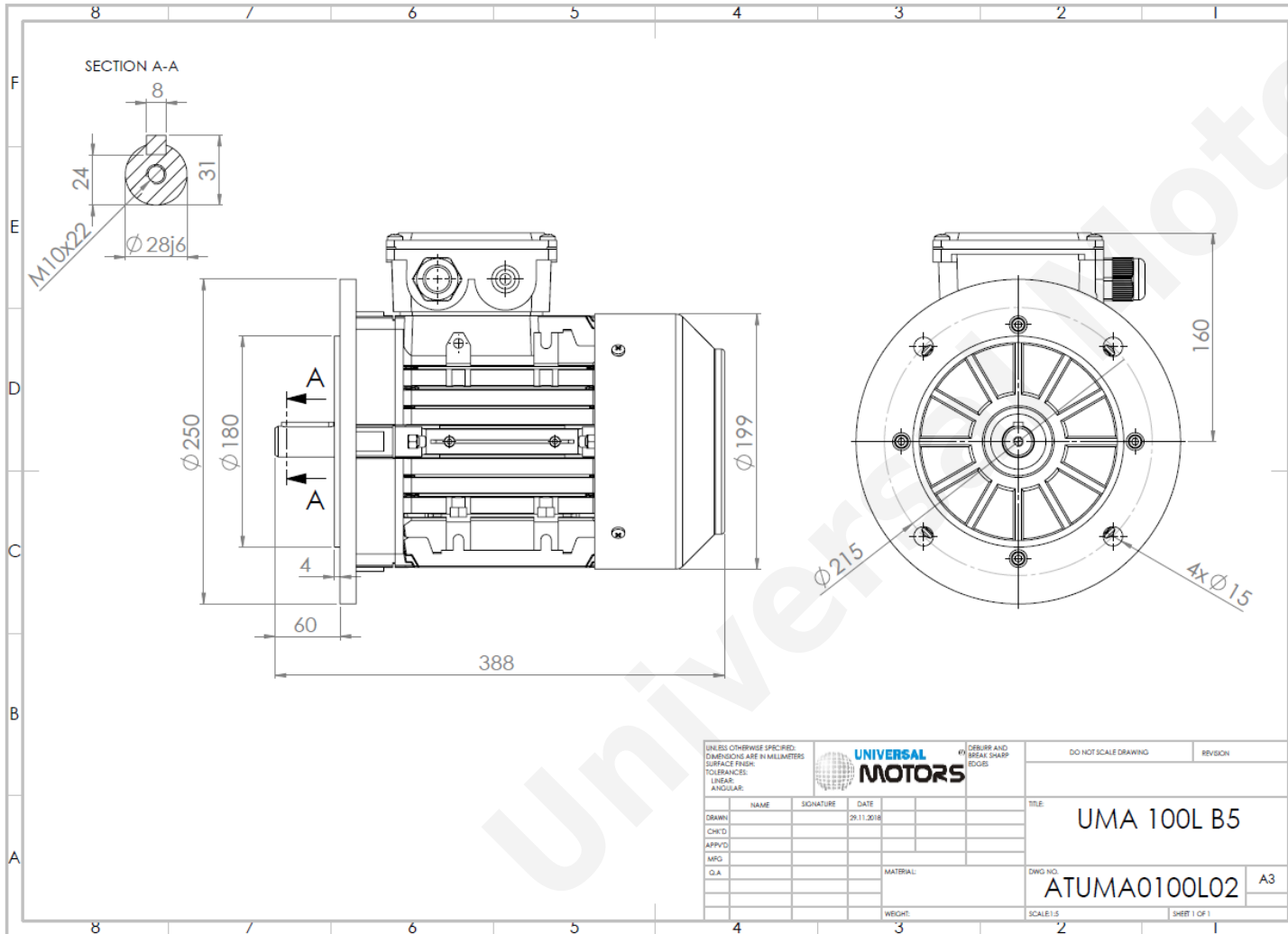




TECHNICAL DATA

Three Phase Electric Motors - Aluminum Frame
 UM3A 100L2-4 IE3
 3 kW / 4 Cv
 1450 RPM



Motor type:	UM3A 100L2-4 IE3
Output:	3 kW / 4 Cv
Speed (min ⁻¹):	1450 RPM
Frequency:	50 Hz
Voltage:	400 V
Current:	6.33 A
Power factor (Cos Ø):	0.78
Poles:	4
Insulation class:	F
Temperature rise Class:	B
Efficiency 50%:	86.9 %
Efficiency 75%:	88.0 %
Efficiency 100%:	87.7 %
Torque:	19.8 N.m
Tstarting/Tnominal:	3.3
Istarting/Inominal:	8.1
Tmaximum/Tnominal:	3.4
Noise:	64 Db(A)
Weight:	28.3 Kg
Brake AC:	AC5
Torque Brake DC:	32 N.m
Bearing DE:	6206 2Z
Bearing NDE:	6206 2Z
Torque Brake AC:	40 N.m
Brake DC:	REB-05-12

Regime - S1

Altitude - 1000m

Environment Temperature - 40°C

CONTACTS:

UNIVERSAL MOTORS Tel: +351 252 299 080
 Rua de São Brás,745 Fax: +351 252 299 089
 4480-782 VILA DO CONDE Mail: geral@universalmotors.pt

* References applied only in the UK